

Hygienic Ball Valves M3H True Bore DIN DN10 - DN50

DESCRIPTION

M3H three pieces body ball valves are isolating valves designed for use on clean steam, condensate and other gases and liquids used in high purity and aseptic processes. The valve is not designed as a control valve and should be used only as an isolating valve, fully open or fully closed. The product was mainly designed for the pharmaceutical, biotech, semiconductor, cosmetics, fine chemical, food and beverage industries.

MAIN FEATURES

1. True bore floating ball design A351 CF3M body ends with ferrite content of less than 3% and low sulfur between 0.005 and 0.017%
2. Can be serviced without removal from pipeline
3. Bidirectional
4. Anti blow out proof stem ISO 5211 mounting

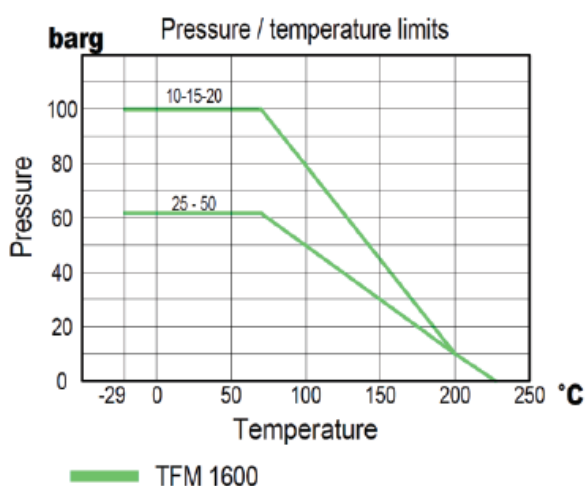
STANDARD SURFACE FINISH

Internal whetted parts: 0.5 microns Ra
External: as casted
Ultrasonic cleaning



CE MARKING (PED - European Directive 97/23/EC)

PN10	PN60	Category
DN 10 to 20	/	SEP - art. 3, paragraph 3
/	DN 25 - 32	SEP - art. 3, paragraph 3
/	DN 40 - 50	1 (CE Marked)



OPTIONS:

Anti static device
Different sealing materials
De-greased for oxygen use

USE:

Clean steam, gases and liquids compatible with the construction.

AVAILABLE MODELS:

M3H - Complete bar stock construction

SIZES:

DN10 to DN50

CONNECTIONS:

According to ASME BPE
TC - Sanitary clamps
ETO - Extended tube orbital welding
TC/ETO Combination

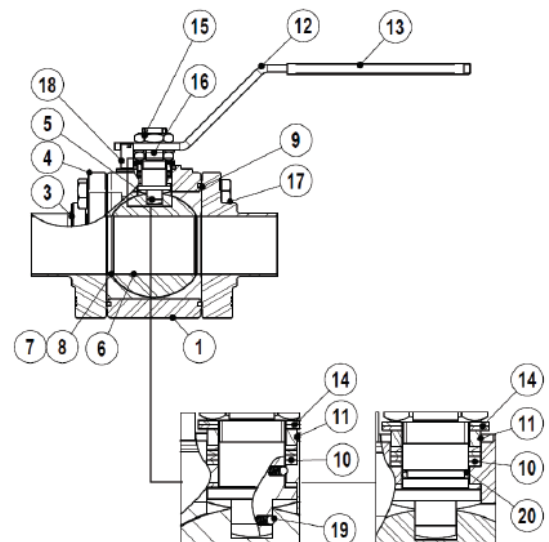
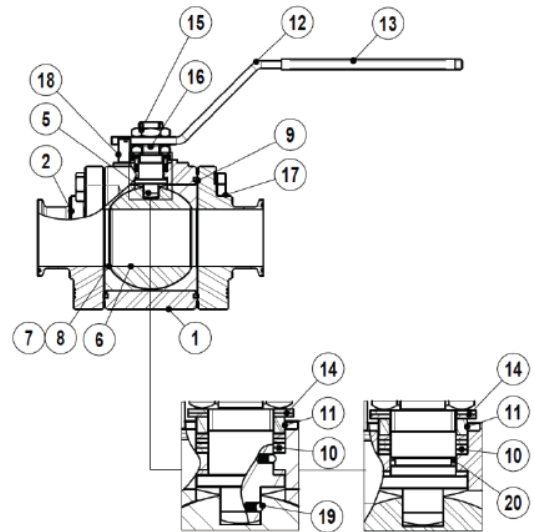
PACKAGING:

Assembling and packaging in a clean room certified according to ISO 14644-1. The product is end capped and vacuum sealed with recyclable plastic film to avoid contamination.

INSTALLATION:

See IMI, installation and maintenance instructions.

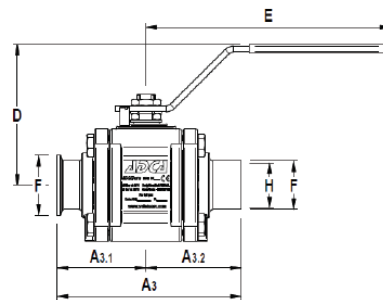
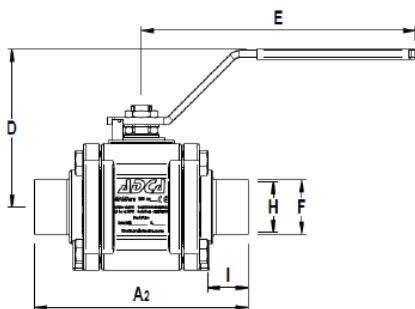
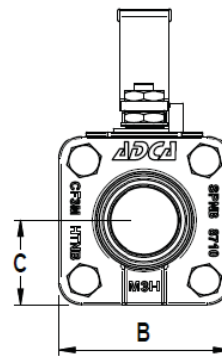
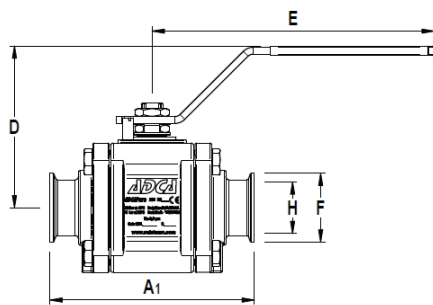
MATERIALS		
POS.	DESIGNATION	MATERIAL
1	Valve body	CF3M / 1.4409
2	TC end connection	CF3M / 1.4409
3	Tube weld and conn.	CF3M / 1.4409 (Integral)
3	Tube weld end conn.	AISI 316L / 1.4404 (360° rotation)
4	***Flange	CF3M / 1.4409
5	Stem	AISI 316L / 1.4404
6	*Valve ball	AISI 316L / 1.4404
7	*Standard seat	TFM 1600
8	* Cavity filter seat	TFM 1600
9	Body seal	PTFE
10	* Stem seals	TFM 1600
11	* Spacer	AISI 316 / 1.4401
12	Handle	AISI 304 / 1.4301
13	Handle sleeve	Vinyl
14	*Spring washes	AISI 304 / 1.4301
15	Compression nut	AISI 304 / 1.4301
16	* Lock washers	AISI 304 / 1.4301
17	Fixing bolt	AISI 304 / 1.4301
18	Stop pin	AISI 304/ 1.4301
19	** Anti static device	AISI 316 / 1.4401
20	* O-ring	VITON



DIMENSIONS (mm)																
Size DN	A1	A2	A3	A3.1	A3.2	B	C	D	E	F	G	H	I	BALL PORT	ISO 5211*	WGT. kg
10	90	102	96	45	51	42	21	65	150	34	13	10	25	10	F03**	0,73
15	100	114	107	50	57	50	25	69	150	34	19	16	27	16	F03**	1,49
20	115	127	121,5	57,5	64	62	31	87	175	34	23	20	27	20	F04	1,94
25	125	135	130,5	62,5	68	72	36	92	175	50,5	29	26	27	26	F04	2,62
32	140	153	147	71	76	85	42,5	114	207	50,5	35	32	27	32	F05	4,41
40	150	161	155	75	80	95	47,5	119	207	50,5	41	38	27	38	F05	5,50
50	165	178	172	82	90	105	52,5	124	232	64	53	50	28	50	F05	1,04

*Available on request.

** Flange adapter is required.



Tube weld easy and quick installation optional

