

High Purity Ball Valves M3HP True Bore (2½"-4" ASME BPE , DN 65-100 DIN)

DESCRIPTION

M3HP three piece body ball valves are isolating valves designed for use with clean steam, condensate and other gases and liquids used in high purity and aseptic processes. The valve is not designed as a control valve and should only be used as an isolating valve, fully open or fully closed. The product is mainly designed for the pharmaceutical, biotech, semiconductor, cosmetics, fine chemical, food and beverage industries.

MAIN FEATURES

1. True bore floating ball design
 2. Completely made from solid bar stock material
 3. Can be serviced without removal from pipeline
 4. Bidirectional
 5. Anti blow out proof stem
 6. Tube weld with loose body flanges (360° rotation after installation)
- ISO 5211 mounting (only sizes ≥1")

STANDARD SURFACE FINISH

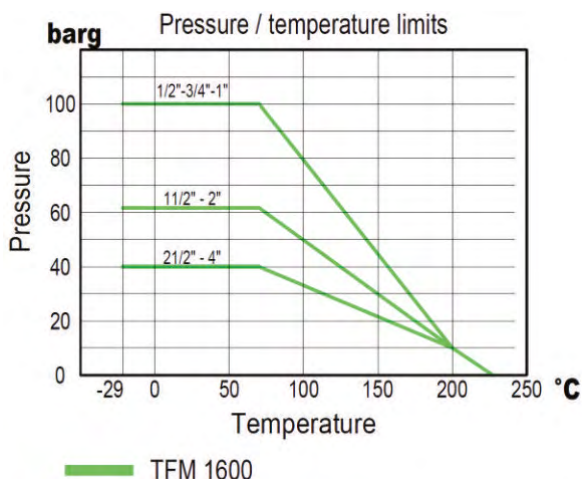
Internal wetted parts: ≤ 0,51 micron Ra . SF1.

External : ≤ 0,76 micron Ra . SF3.

Ultrasonic cleaning

CE MARKING (PED – European Directive)

| PN40 | Category |
|-----------|---------------|
| 2½" to 4" | 1 (CE marked) |



OPTIONS:

Antistatic device.
Different sealing materials.
Degreased for oxygen use.
Cavity filler.

USE:

Clean steam, gases and liquids compatible with the construction.

AVAILABLE MODELS:

M3HP – Complete bar stock construction.

SIZES:

2 ½" to 4".

CONNECTIONS:

According to ASME BPE.
TC – Sanitary clamps.
ETO – Extended tube orbital welding.
TC / ETO – Combination.

PACKAGING:

Assembling and packaging in a clean room certified according to ISO 14644-1. The product is end capped and sealed with recyclable thermo-shrinkable plastic film, to avoid contamination.

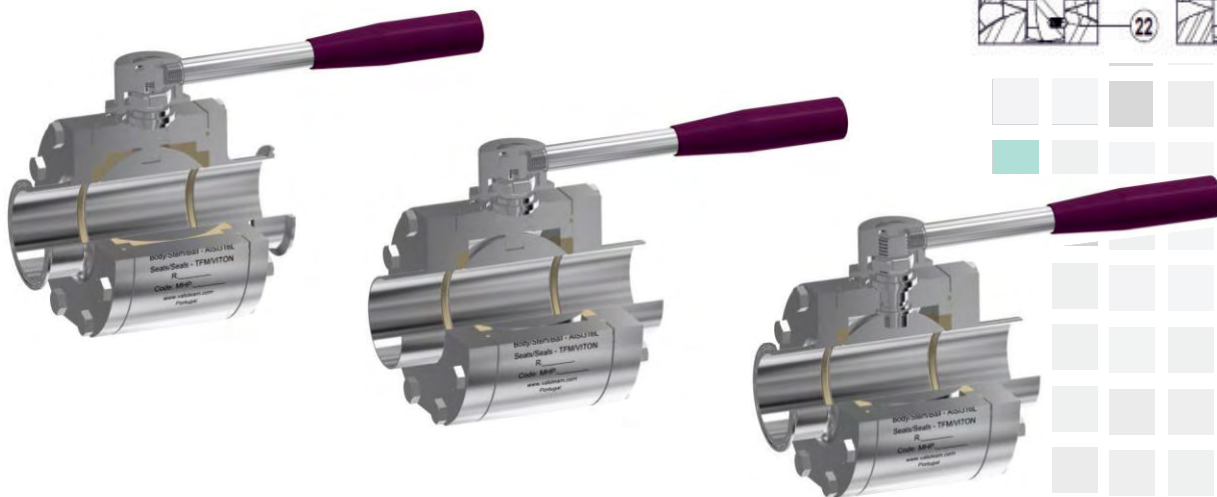
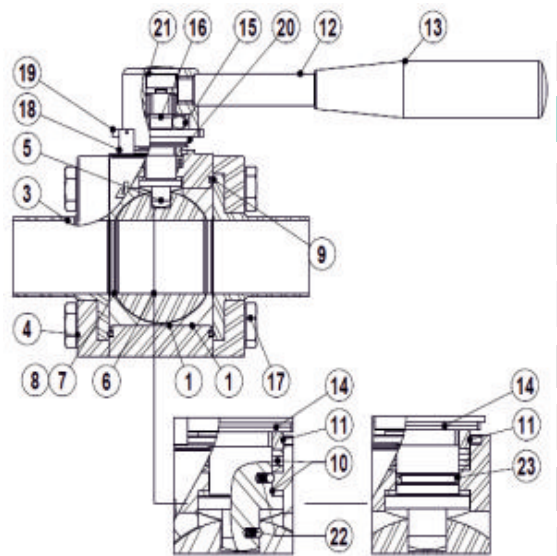
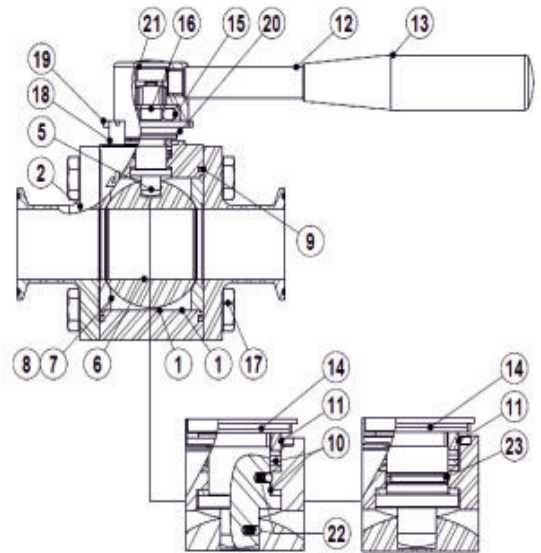
INSTALLATION:

See IMI, installation and maintenance instructions.

MATERIALS

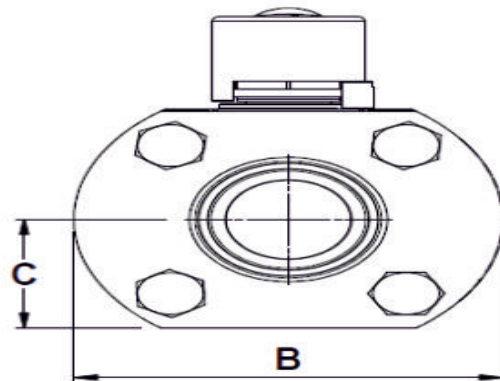
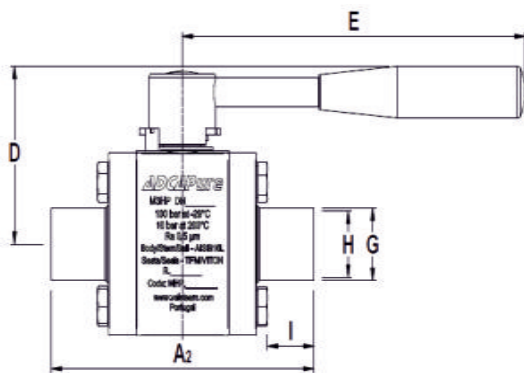
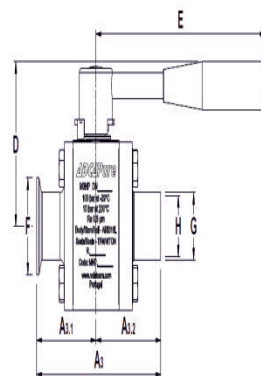
| POS. Nº | DESIGNATION | MATERIAL |
|---------|--------------------------|--------------------|
| 1 | Valve body | AISI 316L / 1.4404 |
| 2 | TC end connection | AISI 316L / 1.4404 |
| 3 | Tube weld end connection | AISI 316L / 1.4404 |
| 4 | Flange | AISI 316L / 1.4404 |
| 5 | Stem | AISI 316L / 1.4404 |
| 6 | * Valve ball | AISI 316L / 1.4404 |
| 7 | * Standard seat | TFM 1600 |
| 8 | * Cavity filler seat | TFM 1600 |
| 9 | Body ring | AISI 316L / 1.4404 |
| 10 | * Body seal | PTFE |
| 11 | * Stem seals | TFM 1600 |
| 12 | * Spacer | AISI 316 / 1.4401 |
| 13 | Handle | AISI 304 / 1.4301 |
| 14 | Handle end | Vinyl |
| 14 | Handle end (optional) | AISI 316L / 1.4404 |
| 15 | Compression nut | AISI 304 / 1.4301 |
| 16 | * Spring washers | AISI 304 / 1.4301 |
| 17 | * Lock washer | AISI 304 / 1.4301 |
| 18 | Fixing bolt | AISI 304 / 1.4301 |
| 19 | Stop pin | AISI 304 / 1.4301 |
| 20 | Handle stopper | AISI 304 / 1.4301 |
| 21 | Fixing screw | AISI 304 / 1.4301 |
| 22 | ** Antistatic device | AISI 316 / 1.4401 |
| 23 | O-ring | Viton |

* Available spare parts. ** On request.
 FDA / USP Class VI seals certificate on request.
 All valves have a serial number. In case of non standard valves this number must be supplied if spare parts are ordered.



DIMENSIONS (mm) ASME BPE

| SIZE | A 1 | A 2 | A 3 | A 3.1 | A 3.2 | B | C | D | E | ØF | ØG | ØH | I | BALL PORT | ISO 5211 | WGT. (kg) |
|--------|-----|-----|-------|-------|-------|-----|-------|-----|-----|------|-------|------|----|-----------|----------|-----------|
| 2 1/2" | 190 | 203 | 196,3 | 95 | 101,5 | 160 | 72,5 | 130 | 250 | 77,5 | 63,5 | 60,2 | 29 | 60,2 | F7 | 15,3 |
| 3" | 216 | 228 | 222 | 108 | 114 | 180 | 83,5 | 140 | 290 | 91 | 76,2 | 72,9 | 30 | 72,9 | F7 | 22,1 |
| 4" | 254 | 267 | 260,5 | 127 | 133,5 | 220 | 101,5 | 158 | 290 | 119 | 101,6 | 97,4 | 36 | 97,4 | F10 | 39,7 |



Tube weld easy and quick installation-standard

