

Hygienic Ball Valves M3H True Bore DIN DN65 - DN100

DESCRIPTION

M3H three pieces body ball valves are isolating valves designed for use on clean steam, condensate and other gases and liquids used in high purity and aseptic processes. The valve is not designed as a control valve and should be used only as an isolating valve, fully open or fully closed. The product was mainly designed for the pharmaceutical, biotech, semiconductor, cosmetics, fine chemical, food and beverage industries.

MAIN FEATURES

1. True bore floating ball design A351 CF3M body ends with ferrite content of less than 3% and low sulfur between 0.005 and 0.017%
2. Can be serviced without removal from pipeline
3. Bidirectional
4. Anti blow out proof stem ISO 5211 mounting

STANDARD SURFACE FINISH

Internal whetted parts: 0.5 microns Ra

External: as casted
Ultrasonic cleaning



CE MARKING (PED - European Directive 97/23/EC)

PN 40	Category
DN 65 - 100	1(CE Marked)

OPTIONS:

Anti static device
Different sealing materials
De-greased for oxygen use
Tube weld wit loose body flanges
(360° rotation after installation)

USE:

Clean steam, gases and liquids compatible with the construction.

AVAILABLE MODELS:

M3H - Complete bar stock construction

SIZES:

DN 65 to DN 100

CONNECTIONS:

According to ASME BPE
TC - Sanitary clamps
ETO - Extended tube orbital welding
TC/ETO Combination

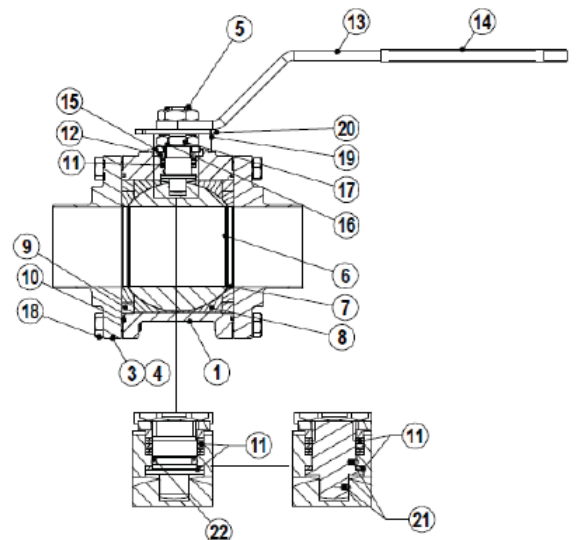
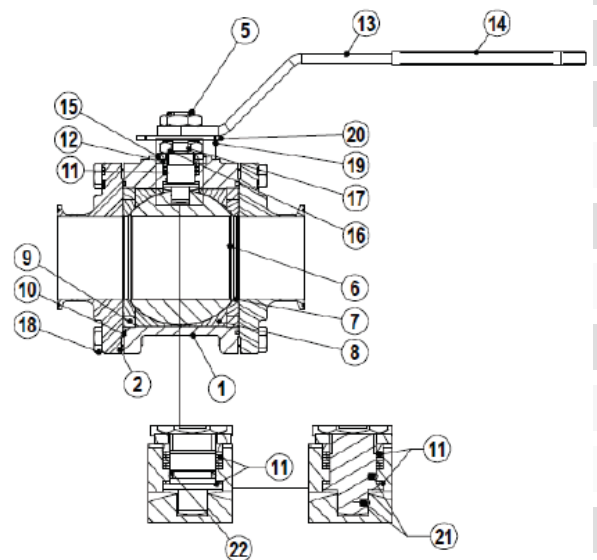
PACKAGING:

Assembling and packaging in a clean room certified according to ISO 14644 1.
The product is end capped and vacuum sealed with recyclable plastic film to avoid contamination.

INSTALLATION:

See IMI, installation and maintenance instructions.

MATERIALS		
POS.	DESIGNATION	MATERIAL
1	Valve body	CF3M / 1.4409
2	TC end connection	CF3M / 1.4409
3	Tube weld and conn.	CF3M / 1.4409 (Integral)
3	Tube weld end conn.	AISI 316L / 1.4404 (360° rotation)
4	***Flange	CF3M / 1.4409
5	Stem	AISI 316L / 1.4404
6	*Valve ball	AISI 316L / 1.4404
7	*Standard seat	TFM 1600
8	* Cavity filter seat	TFM 1600
9	Body seal	PTFE
10	* Stem seals	TFM 1600
11	* Spacer	AISI 316 / 1.4401
12	Handle	AISI 304 / 1.4301
13	Handle sleeve	Vinyl
14	*Spring washes	AISI 304 / 1.4301
15	Compression nut	AISI 304 / 1.4301
16	* Lock washers	AISI 304 / 1.4301
17	Fixing bolt	AISI 304 / 1.4301
18	Stop pin	AISI 304/ 1.4301
19	** Anti static device	AISI 316 / 1.4401
20	* O-ring	VITON
21	Body ring	AISI316L / 1.4404
22	Handle stopper	AISI304 / 1.4301



*Available space parts. ** On request

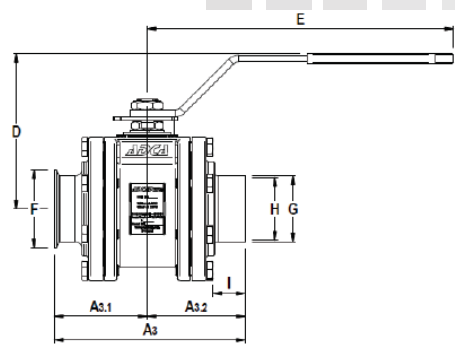
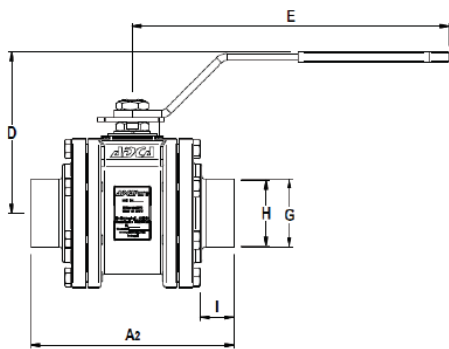
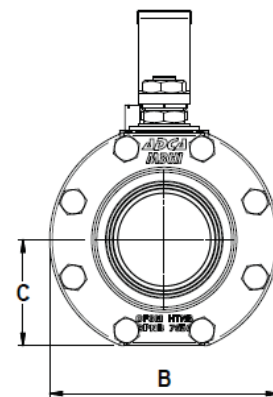
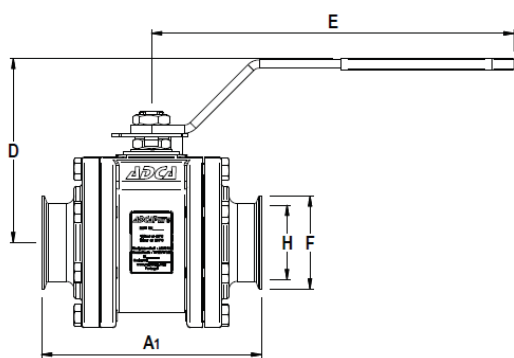
***Loose flange only applied on the 360° rotation version optional

Remarks: FDA/USP Class VI seals certificate on request

All valves have a serial number . In case of non-standard valves this number must be supplied if spare parts are ordered



DIMENSIONS (mm)																
Size DN	A1	A2	A3	A3.1	A3.2	B	C	D	E	F	G	H	I	BALL PORT	ISO 5211*	WGT. kg
65	190	203	197	95,0	98,5	160	72,5	169	355	91	70	66	37	62	F7	13,3
80	216	228	222	108,0	111,0	180	83,5	180	355	106	85	81	38	75	F7	18,6
100	255	267	261	127,5	133,5	220	101,5	198	460	119	104	100	44	98	F10	29,6



Tube weld easy and quick installation optional

